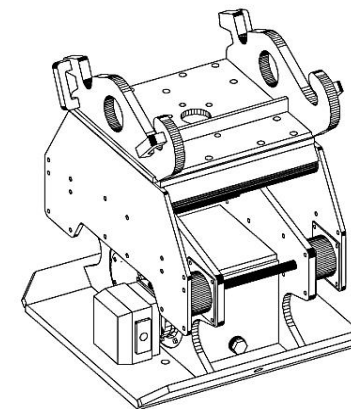
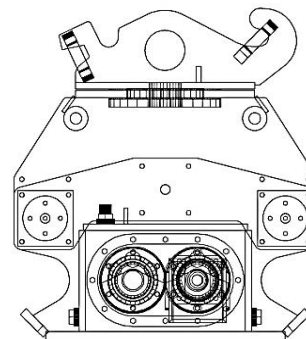
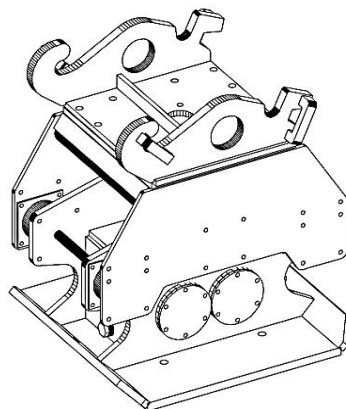




## HYDRAULISCHE TRILBLOKKEN

## HYDRAULIC COMPACTORS



Standaard typen incl. rotatie, slangen, druk-flow-set en CW adapter									
<i>Standard types incl. rotation, hoses, pressure-flow-set, and CW adaptor</i>	Machineklasse (t) <i>Machine class (t)</i>	Centrifugaal- kracht (kN) <i>Centrifugal force (kN)</i>	Amplitude (mm) <i>Amplitude (mm)</i>	Max. motor- vermogen (kW) <i>Max. motor power (kW)</i>	Frequentie (rpm) <i>Frequency (rpm)</i>	OliefLOW [Max. flow machine] (l/min) <i>Oil flow [Max. flow machine] (l/min)</i>	Werkdruk [Max. druk machine] (Bar) <i>Working pressure [Max. press. machine] (Bar)</i>	Max. retourdruk (Bar) <i>Max. return pressure (Bar)</i>	Massa (kg) <i>Mass (kg)</i>
HST004 RM-DFS-CW00	0,8 - 3	10	4,0	6	2200 - 2600	20-30 [40]	120-140 [150]	6	112
HST004 RM-DFS-CW0	0,8 - 3	10	4,0	6	2200 - 2600	20-30 [40]	120-140 [150]	6	118
HST007 RM-DFS-CW0	2 - 5	18	5,2	8	2200 - 3000	25-40 [55]	120-140 [175]	6	160
HST010 RM-DFS-CW0	4,5 - 8	25	5,9	8	2200 - 3000	25-40 [55]	120-140 [175]	6	202
HST010 RM-DFS-CW10	4,5 - 8	25	5,9	8	2200 - 3000	25-40 [55]	120-140 [175]	6	228
HST015 RM-DFS-CW10	6 - 16	50	6,5	17	2100 - 2600	55-85 [175]	120-140 [230]	8	394
HST015 RM-DFS-CW30	6 - 16	50	6,5	17	2100 - 2600	55-85 [175]	120-140 [230]	8	482
HST030 RM-DFS-CW30	15 - 28	95	8,8	26	2200 - 2500	100-131 [175]	100-140 [230]	10	760
HST055 RM-DFS-CW40	20 - 35	155	9,2	65	2400 - 2900	170-210 [210]	190-215 [230]	10	876
HST055 RM-DFS-CW45	20 - 35	155	9,2	65	2400 - 2900	170-210 [210]	190-215 [230]	10	950
HST070 RM-DFS-CW40	22 - 37	205	12,0	66	2400 - 2900	175-215 [215]	200-225 [230]	10	965
HST070 RM-DFS-CW45	22 - 37	205	12,0	66	2400 - 2900	175-215 [215]	200-225 [230]	10	1040